

Worktop induction hob - Novy Easy duct-out
4-zones 80 cm
Black

EAN 5414425220755



Dimensions (mm)

Dimensions (WxDxH) (mm)	800 x 520 x 225
Cut-out worktop (WxD)(mm)	750 x 490
Dimensions cut-out with inset (WxDxH) (mm)	804 x 524 x 6

Cooker hood

Energy label

Energy efficiency class (EEIhood)	A
Annual energy consumption (kWh/y) (AEChood)	43,1
Fluid Dynamic Efficiency class (FDEhood)	B
Lighting Efficiency class (LEhood)	-
Grease Filtering Efficiency class (GFEhood)	B

General information

Integrated motor	•
Sound absorber	•
Number of metal grease filters	1
Duct out	•
Dimensions exhaust (mm)	89 x 222
Position exhaust	Back left / Under left

Functions

Control	Red slider touch control
Number of speeds	9 + P
Delayed switch off (minutes)	10
Grease filter cleaning indication	•
Watertank(s) for cleaning	•

Air flow & noise level

Air flow duct out (m3/u) (EN 61591):	
- Minimum	124
- Maximum continues	529
- Maximum	535
Luchtdruk (Pa):	
- Maximum	808
Sound pressure/power duct out setting (dB(A) re 1 pW)(EN 60704-2-13):	
- Minimum	22/34
- Maximum continues	54/66
- Maximum	55/67

Induction hob

General characteristics

Black opaque glass	•
Bevelled glass edge	•
Surface and flushline mounting	• / •

Cooking zones

Number of octagonal zones	4
Cooking zones (mm)	240 x 210
Power per zone (max. / power) (W)	2100/3000

Cooking functions

Control	Red slider touch control
Power levels	9 + Power
Timer per zone	•
Minute minder	•
Stop&Go	•
Keep warm function	70°
Bridge function flexzones	• (2x)
Residual heat indication	•
Automatic cooking	•
Child lock function	•
Automatic pan recognition	•
Grill function	•

Technical specifications

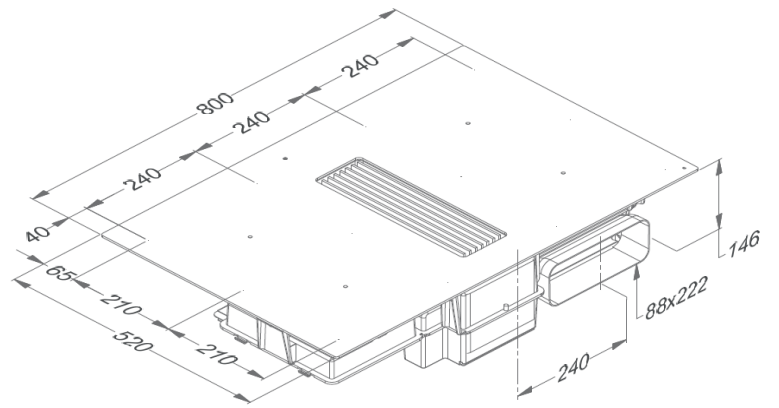
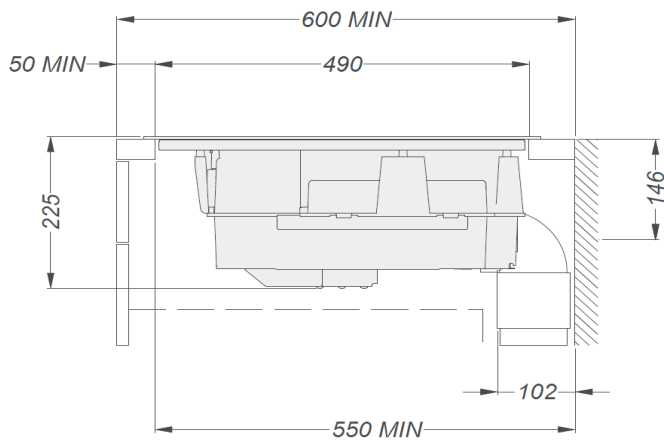
Maximum power	7.550 W
Tension	230 V / 400 V - 2N / 3N
Power cable (included)	1,5 m
Power consumption in stand-by Ps (W)	<0,5 W
Weight (kg)	18,3

Accessories

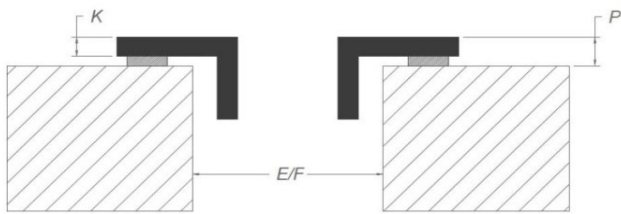
Accessories

Vertical bend 90°	Supplied with the appliance
-------------------	-----------------------------

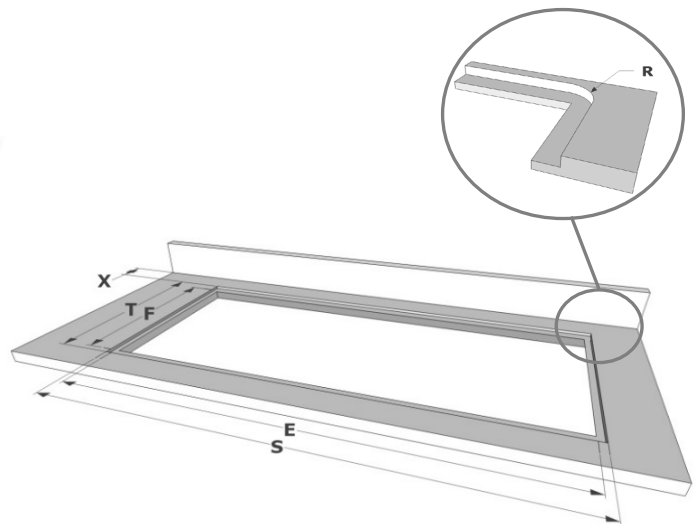
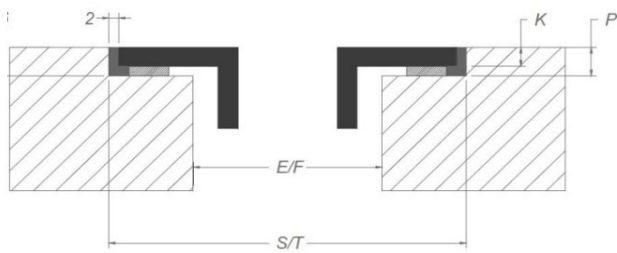
Dimensions



Surface mounting



Flushline mounting



Dimensions

	mm							
Surface	E	F	K	P	R	S	T	X
Flushmount	750	490	4	6				55 min
	750	490	4	6	7	804	524	55 min

