

Worktop induction hob
4-zones 118 cm
Black

EAN 5414425219520



Cooker hood

Dimensions (mm)

Dimensions (WxDxH) (mm) 1100 x 162 x 760-840

Energy label

Energy efficiency class (EEIhood)	B
Annual energy consumption (kWh/y) (AEChood)	65,4
Fluid Dynamic Efficiency class (FDEhood)	B
Lighting Efficiency class (LEhood)	-
Grease Filtering Efficiency class (GFEhood)	C

General information

Integrated motor	•
Sound absorber	•
Number of metal grease filters	2
Recirculation (default setting)/ Duct out	• / •
Number of exhausts	2
Dimensions exhaust (mm)	89 x 222
Position exhaust	Bottom front / back

Functions

Preadjusted extraction function	•
Manual extraction function	•
Control	Touch control
Lock function control	•
Number of speeds	5 + 3 intensive
Delayed switch off (minutes)	10-30
Grease filter cleaning indication	•
Recirculation filter cleaning indication	•
Removable glass	•
Aspiration heights (cm)	10, 20, 30 + freely adjustable
Watertank(s) for cleaning	2 upper, 2 lower

Air flow & noise level

Air flow duct out (m3/u) (EN 61591):	
- Minimum	237
- Maximum	1009
- Best efficiency point	446
Air pressure (Pa):	
- Maximum	416
- Best efficiency point	315
Sound pressure /power duct out setting (dB(A) re 1 pW)(EN 60704-2-13):	
- Minimum	22/35
- Maximum continues	48/61
- Maximum intensive	56/70
Sound pressure / power recirculation setting (dB(A) re 1 pW)(EN 60704-2-13):	
- Minimum	25/39
- Maximum intensive	58/71

Induction hob

General characteristics

Black opaque glass	•
Bevelled glass edge	•
Surface and flushline mounting	• / •

Dimensions hob (mm)

Dimensions (WxDxH) (mm)	1180 x 520 x 65
Cut-out worktop (WxD)(mm)	1160 x 490
Dimensions cut-out with inset (WxDxH) (mm)	1184 x 524 x 6

Cooking zones

Octagonal zones (240 x 200 mm)	2
Power octagonal zones (W)	2100/3700 (Center right, right)
Round zone (230mm)	1
Power round zone (W)	2300/3700 (Center left)
Round zone (280mm)	1
Power round zone (W)	2300/3700 (Left)

Cooking functions

Control	Slider touch control with red LED's
Power levels	9 + Power + Super Power
Timer per zone	•
Minute minder	•
Stop&Go	•
Keep warm function	• (42°C, 70°C, 94°C)
Automatic bridge function flexzones	• (1x)
Residual heat indication	•
Automatic cooking	•
Child lock function	•
Automatic pan recognition	•
Grill function	•
Chef function	-

Technical specifications

Maximum power cooker hood	450 W
Maximum power induction hob	7400 W
Electrical connection cooker hood	230 V
Power cable cooker hood	Schuko 1m2
Electrical connection induction hob	230 V / 400V - 1N / 2N
Power cable induction hob	2m
Power consumption in stand-by Ps (W)	<0,5 W
Weight (kg)	56,0

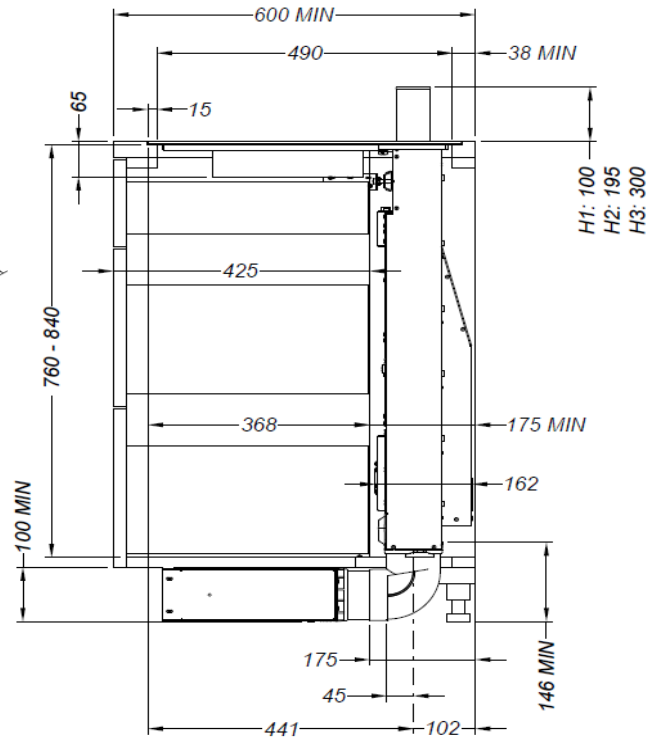
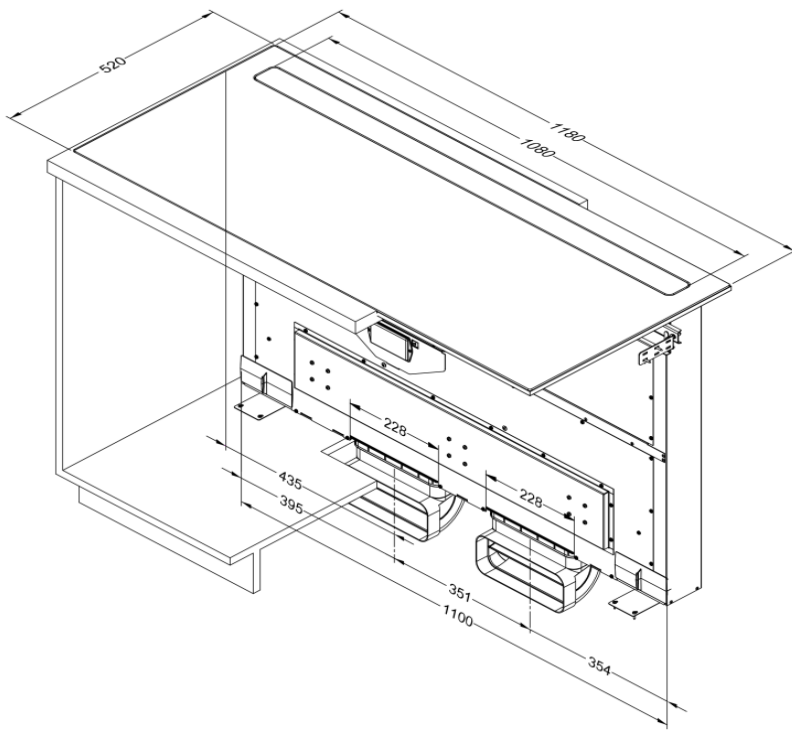
Accessories

Accessories

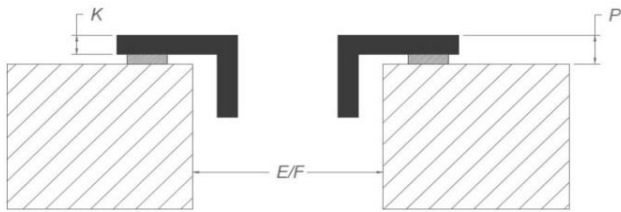
Recirculation box

- Recirculation box H 98 with Monoblock filter WHITE (98x1100x290mm)	7941400
- Recirculation box H 98 with Monoblock filter BLACK (98x1100x290mm)	7942400
- Recirculation box H 98 with Monoblock filter STAINLESS STEEL LOOK (98x1100x290mm)	7943400

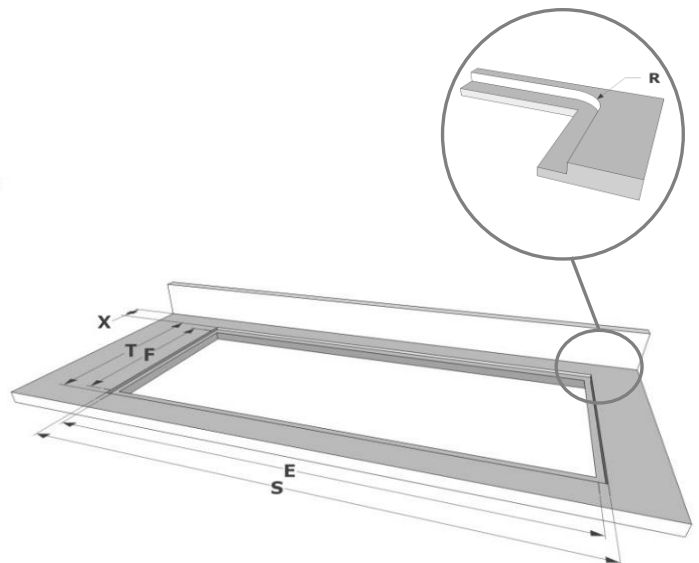
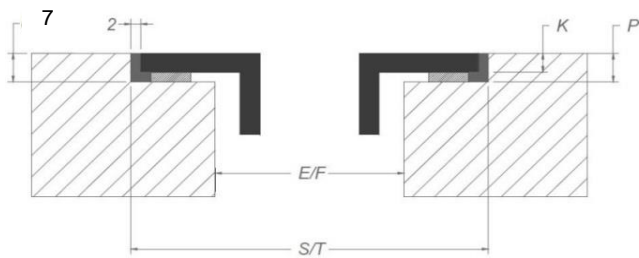
Dimensions



Surface mounting

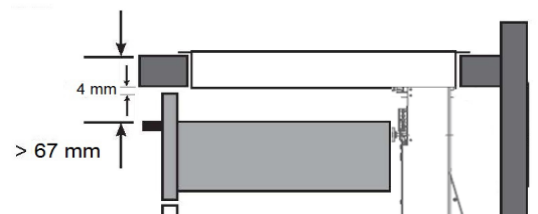


Flushline mounting



Dimensions

	mm							
	E	F	K	P	R	S	T	X
Surface	1160	490	4	6				38 min
Flushmount	1160	490	4	6	8	1184	524	38 min



Dimensions

