

**Worktop induction hob**  
**5-zones 118 cm**  
**Black**

EAN 5414425216260



**Cooker hood**

**Dimensions (mm)**

Dimensions (WxDxH) (mm) 1100 x 162 x 760-840

**Energy label**

Energy efficiency class (EEIhood) B  
 Annual energy consumption (kWh/y) (AEChood) 65,4  
 Fluid Dynamic Efficiency class (FDEhood) B  
 Lighting Efficiency class (LEhood) -  
 Grease Filtering Efficiency class (GFEhood) C

**General information**

Integrated motor ●  
 Sound absorber ●  
 Number of metal grease filters 2  
 Recirculation (default setting)/ Duct out ● / ●  
 Number of exhausts 2  
 Dimensions exhaust (mm) 89 x 222  
 Position exhaust Bottom front / back

**Functions**

Preadjusted extraction function ●  
 Manual extraction function ●  
 Control Touch control  
 Lock function control ●  
 Number of speeds 5 + 3 intensive  
 Delayed switch off (minutes) 10-30  
 Grease filter cleaning indication ●  
 Recirculation filter cleaning indication ●  
 Removable glass ●  
 Aspiration heights (cm) 10, 20, 30 + freely adjustable  
 Watertank(s) for cleaning 2 upper, 2 lower

**Air flow & noise level**

Air flow duct out (m3/u) (EN 61591):  
 - Minimum 237  
 - Maximum 1009  
 - Best efficiency point 446  
 Air pressure (Pa):  
 - Maximum 416  
 - Best efficiency point 315  
 Sound pressure /power duct out setting (dB(A) re 1 pW)(EN 60704-2-13):  
 - Minimum 22/35  
 - Maximum continues 48/61  
 - Maximum intensive 56/70  
 Sound pressure / power recirculation setting (dB(A) re 1 pW)(EN 60704-2-13):  
 - Minimum 25/39  
 - Maximum intensive 58/71

## Induction hob

### General characteristics

---

Black opaque glass	•
Bevelled glass edge	•
Surface and flushline mounting	• / •

### Dimensions hob (mm)

---

Dimensions (WxDxH) (mm)	1180 x 520 x 65
Cut-out worktop (WxD)(mm)	1160 x 490
Dimensions cut-out with inset (WxDxH) (mm)	1184 x 524 x 6

### Cooking zones

---

Octagonal zones (240 x 200 mm)	2
Power octagonal zones (W)	2100/3000
Round zone (280mm)	1
Power round zone (W)	2300/3000 (Central)

### Cooking functions

---

Control	Slider touch control with white LED's
Power levels	9 + Power + Super Power
Timer per zone	•
Minute minder	•
Stop&Go	•
Keep warm function	• (70 °C)
Automatic bridge function flexzones	• (2x)
Residual heat indication	•
Automatic cooking	•
Child lock function	•
Automatic pan recognition	•
Grill function	•
Chef function	-

### Technical specifications

---

Maximum power cooker hood	450 W
Maximum power induction hob	10.400 W
Electrical connection cooker hood	230 V
Power cable cooker hood	Schuko 1m2
Electrical connection induction hob	230 V / 400V - 1N / 2N / 3N
Power cable induction hob	2m
Power consumption in stand-by Ps (W)	<0,5 W
Weight (kg)	56,0

## Accessories

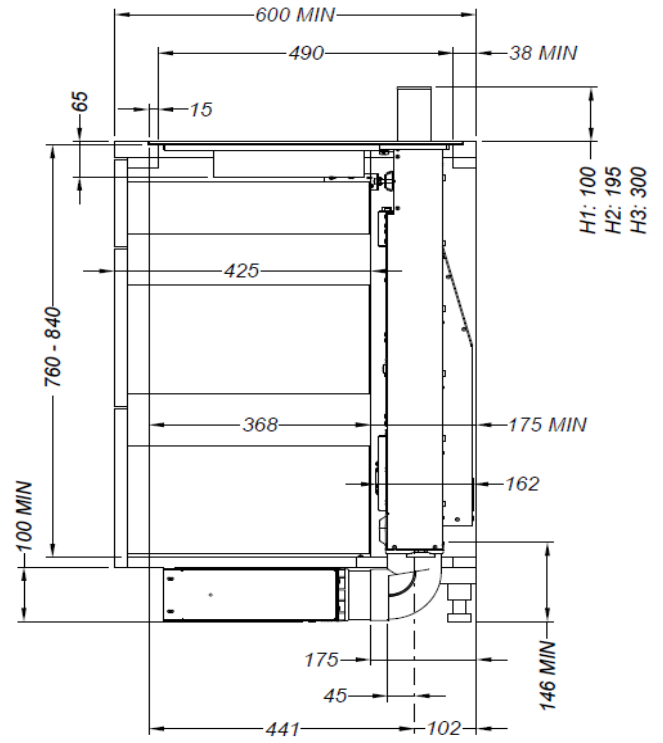
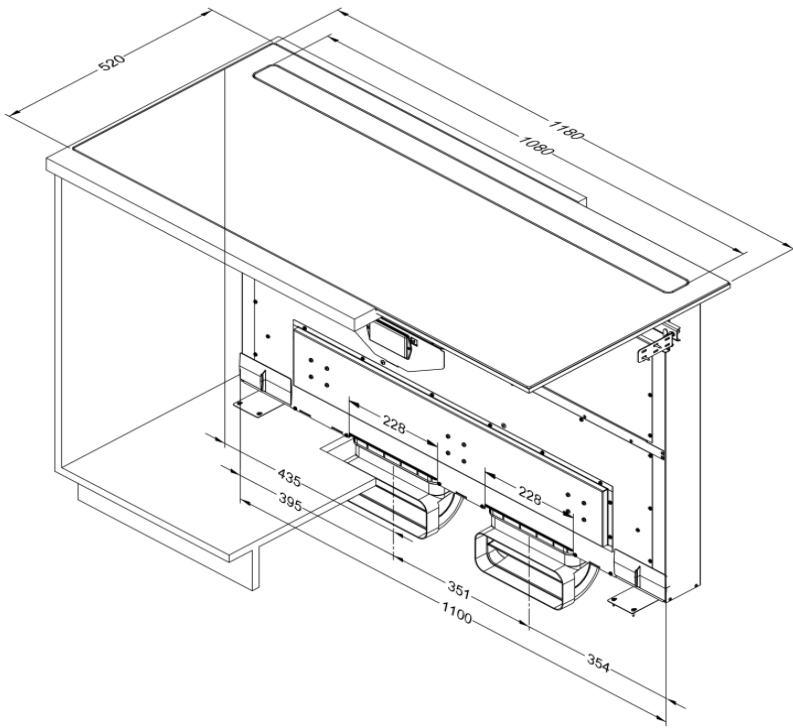
### Accessories

---

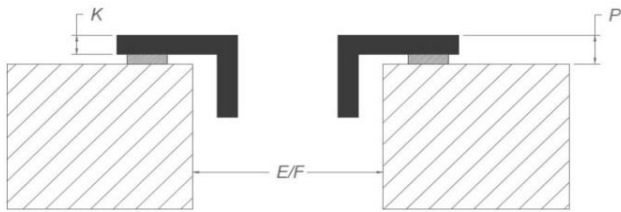
#### Recirculation box

- Recirculation box H 98 with Monoblock filter WHITE (98x1100x290mm)	7941400
- Recirculation box H 98 with Monoblock filter BLACK (98x1100x290mm)	7942400
- Recirculation box H 98 with Monoblock filter STAINLESS STEEL LOOK (98x1100x290mm)	7943400

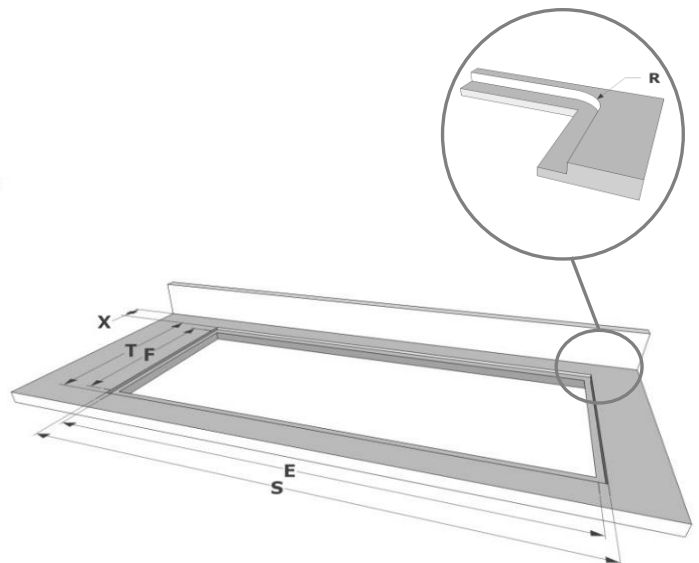
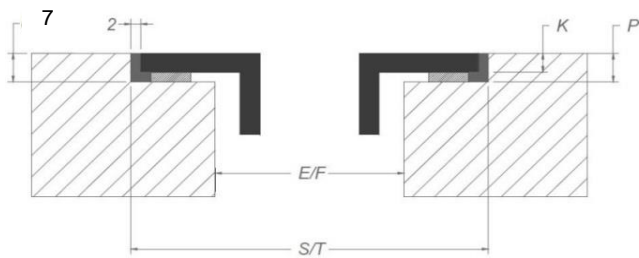
## Dimensions



## Surface mounting

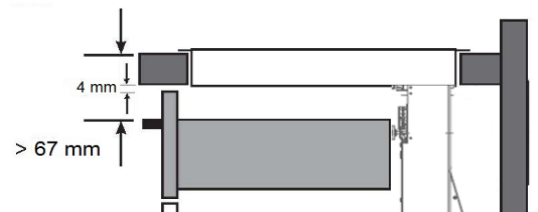


## Flushline mounting



## Dimensions

	mm							
	E	F	K	P	R	S	T	X
Surface	1160	490	4	6				38 min
Flushmount	1160	490	4	6	8	1184	524	38 min



Dimensions

