

**Telescopic
Fusion 90 cm
White**

EAN 5414425006861



Energy label

▪ Energy Efficiency class (EElhood)	A
▪ Annual Energy Consumption (kWh/year) (AEChood)	37,3
▪ Fluid Dynamic Efficiency class (FDEhood)	A
▪ Lighting Efficiency class (LEhood)	A
▪ Grease Filtering Efficiency class (GFEhood)	B

Functions & features

▪ Motor	Integrated
▪ Sound absorber	Integrated
▪ Recirculation	Optional
▪ InTouch function	Standard
▪ Auto stop	▪
▪ Delayed switch off (minutes)	10
▪ Grease filter	680020
▪ Number of grease filters	2
▪ Grease filter cleaning indication	▪
▪ Recirculation filter cleaning indication	▪
▪ Control method	Touch control
▪ Number of speeds	3 + power
▪ Automatic Power revert (minutes)	6

Dimensions

▪ Product dimensions (WxDxH) (mm)	820 x 280 x 320
▪ Dimensions cut-out opening (WxD) (mm)	805 x 265
▪ Min dimensions cabinet (WxDxH) (mm)	805 x 265 x
▪ Advised mounting height induction hobs (Hmin-Hmax) (mm)	500 - 750
▪ Advised mounting height gas hobs (Hmin-Hmax) (mm)	650 - 750
▪ Advised mounting height ceramic hobs (Hmin-Hmax) (mm)	500 - 750
▪ Diameter outlet (mm)	150
▪ Position exhaust	Top, Back

Lighting

▪ Functional lighting type	Led strip
▪ Functional light dimmable	▪
▪ Soft-ON/OFF	-
▪ Number of functional lights	1
▪ Total energy consumption functional light (W)	16
▪ Color functional light	3000

Airflow and noise level

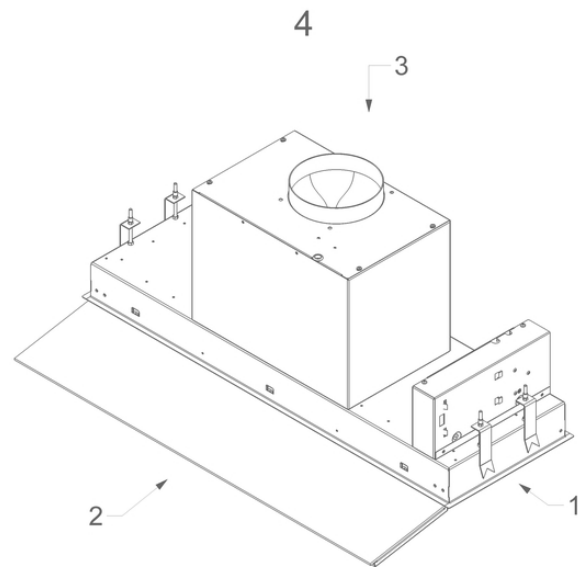
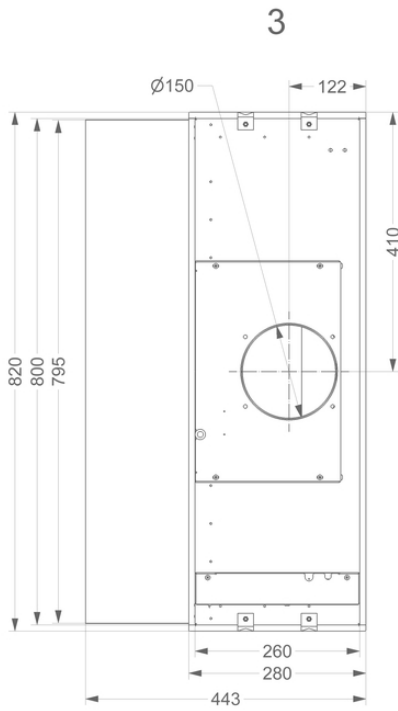
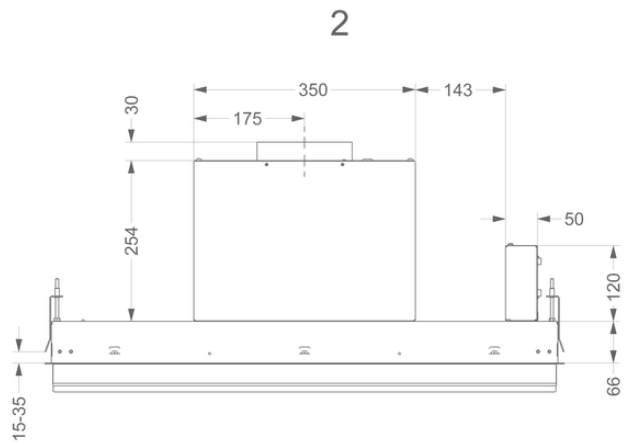
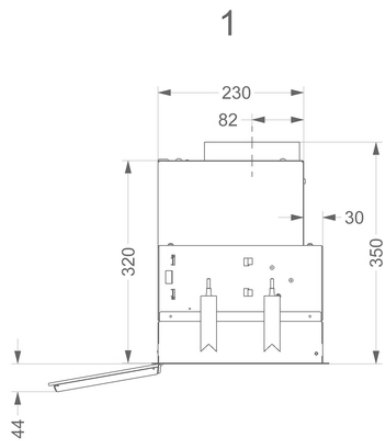
▪ Free airflow (m³/h)	815
▪ Airflow (m³/h) measured according to EN 61591	

Airflow and noise level

- Sound regulation according to EN 60704-2-13
- Airflow duct out speed 1 (m³/h) / Max pressure duct out speed 1 (Pa) 254 / 83
- Airflow duct out speed 2 (m³/h) / Max pressure duct out speed 2 (Pa) 442 / 254
- Airflow duct out speed 3 (m³/h) / Max pressure duct out speed 3 (Pa) 554 / 392
- Airflow duct out max powerspeed (m³/h) (Qboost) / Max pressure duct out max powerspeed (Pa) 635 / 390
- Sound pressure duct out speed 1 (dB(A)) / Sound power duct out speed 1 (dB(A)) 27 / 40
- Sound pressure duct out speed 2 (dB(A)) / Sound power duct out speed 2 (dB(A)) 39 / 51
- Sound pressure duct out speed 3 (dB(A)) / Sound power duct out speed 3 (dB(A)) 45 / 58
- Sound pressure duct out at max powerspeed (dB(A)) / Sound power duct out at max powerspeed (dB(A)) (LWAboost) 49 / 61

Technical specifications

- | | |
|---|------|
| ▪ Maximum power (W) | 126 |
| ▪ Voltage cooker hood (V) | 230 |
| ▪ Frequency (Hz) | 50 |
| ▪ Power consumption in stand-by-mode (Ps) (W) | 0.30 |
| ▪ Net weight (kg) | 15,2 |
| ▪ Length power supply cord (m) | 1,1 |



Installation accessories

Additional accessories

- 840029

Remote control

Accessories

Recirculation kit



680400

Monoblock recirculation set Fusion, Fusion+

