

**Telescopic  
Fusion Pro 90 cm  
Anthracite**



EAN 5414425203451

**Energy label**

▪ Energy Efficiency class (EElhood)	A
▪ Annual Energy Consumption (kWh/year) (AEChood)	39
▪ Fluid Dynamic Efficiency class (FDEhood)	A
▪ Lighting Efficiency class (LEhood)	A
▪ Grease Filtering Efficiency class (GFEhood)	C

**Functions & features**

▪ Motor	Integrated
▪ Sound absorber	Integrated
▪ Recirculation	Optional
▪ InTouch function	Standard
▪ Auto stop	▪
▪ Delayed switch off (minutes)	10
▪ Grease filter	8740050
▪ Number of grease filters	3
▪ Control method	Touch control
▪ Number of speeds	3 + power
▪ Automatic Power revert (minutes)	6

**Dimensions**

▪ Product dimensions (WxDxH) (mm)	900 x 310 x 340
▪ Dimensions cut-out opening (WxD) (mm)	x
▪ Min dimensions cabinet (WxDxH) (mm)	900 x 310 x 340
▪ Advised mounting height induction hobs (Hmin-Hmax) (mm)	500 - 750
▪ Advised mounting height gas hobs (Hmin-Hmax) (mm)	650 - 750
▪ Advised mounting height ceramic hobs (Hmin-Hmax) (mm)	500 - 750
▪ Diameter outlet (mm)	150
▪ Position exhaust	Top

**Lighting**

▪ Functional lighting type	Led strip
▪ Functional light dimmable	▪
▪ Number of functional lights	2
▪ Total energy consumption functional light (W)	18
▪ Color functional light	3000

**Airflow and noise level**

▪ Free airflow (m <sup>3</sup> /h)	815
▪ Airflow (m <sup>3</sup> /h) measured according to EN 61591	
▪ Sound regulation according to EN 60704-2-13	
▪ Airflow duct out speed 1 (m <sup>3</sup> /h) / Max pressure duct out speed 1 (Pa)	391 / 178
▪ Airflow duct out speed 2 (m <sup>3</sup> /h) / Max pressure duct out speed 2 (Pa)	535 / 356

### Airflow and noise level

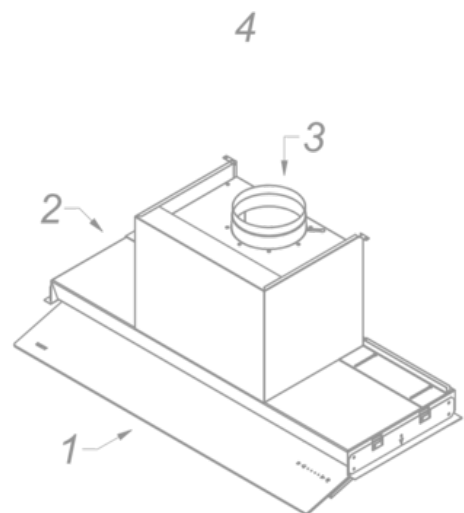
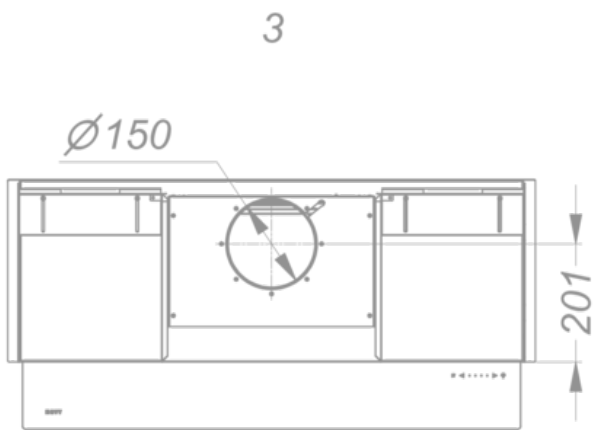
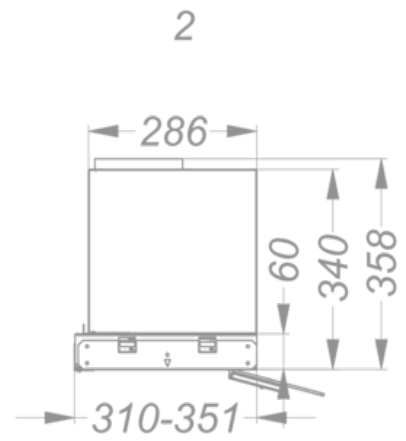
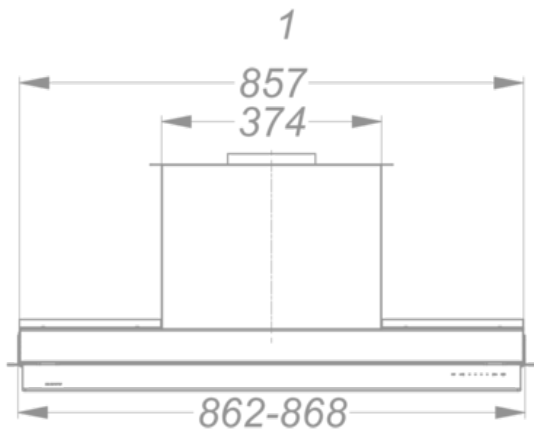
---

- Airflow duct out speed 3 (m<sup>3</sup>/h) / Max pressure duct out speed 3 (Pa)      606 / 383
- Airflow duct out max powerspeed (m<sup>3</sup>/h) (Qboost) / Max pressure duct out max powerspeed (Pa)      674 / 383
- Sound pressure duct out speed 1 (dB(A)) / Sound power duct out speed 1 (dB(A))      36 / 48
- Sound pressure duct out speed 2 (dB(A)) / Sound power duct out speed 2 (dB(A))      44 / 56
- Sound pressure duct out speed 3 (dB(A)) / Sound power duct out speed 3 (dB(A))      47 / 59
- Sound pressure duct out at max powerspeed (dB(A)) / Sound power duct out at max powerspeed (dB(A)) (LWAboost)      50 / 62

### Technical specifications

---

- |   |      |
|---|------|
| ▪ Maximum power (W)                           | 124  |
| ▪ Voltage cooker hood (V)                     | 230  |
| ▪ Frequency (Hz)                              | 50   |
| ▪ Power consumption in stand-by-mode (Ps) (W) | 0,25 |
| ▪ Net weight (kg)                             | 14,5 |
| ▪ Length power supply cord (m)                | 1,1  |



## Installation accessories

---

### Back panel & chimney extensions

- 88408160 Chimney extension

### Additional accessories

- 840029 Remote control

## Accessories

---

### Recirculation kit



8740400

Monoblock recirculation set Fusion Pro / Advanced

