

Wall mounted
Vision 90 cm (without motor)
Black



EAN 5414425196227

Functions & features

▪ Control method	Touch control
▪ Number of speeds	3 + power
▪ Automatic Power revert (minutes)	6
▪ Motor	Without
▪ Sound absorber	Integrated
▪ InTouch function	Optional
▪ Auto stop	▪
▪ Delayed switch off (minutes)	10
▪ Number of grease filters	2
▪ Grease filter	7830020
▪ Grease filter cleaning indication	▪
▪ Recirculation filter cleaning indication	-

Dimensions

▪ Product dimensions exhaust (WxDxHmin-Hmax) (mm)	898 x 426 x 830 - 1100
▪ Product dimensions recirculation (WxDxHmin-Hmax) (mm)	898 x 426 x -
▪ Max height optional chimney exhaust (mm)	1390
▪ Advised mounting height induction hobs (Hmin-Hmax) (mm)	500 - 750
▪ Advised mounting height gas hobs (Hmin-Hmax) (mm)	650 - 750
▪ Advised mounting height ceramic hobs (Hmin-Hmax) (mm)	500 - 750
▪ Diameter outlet (mm)	150
▪ Position exhaust	Top, Back

Lighting

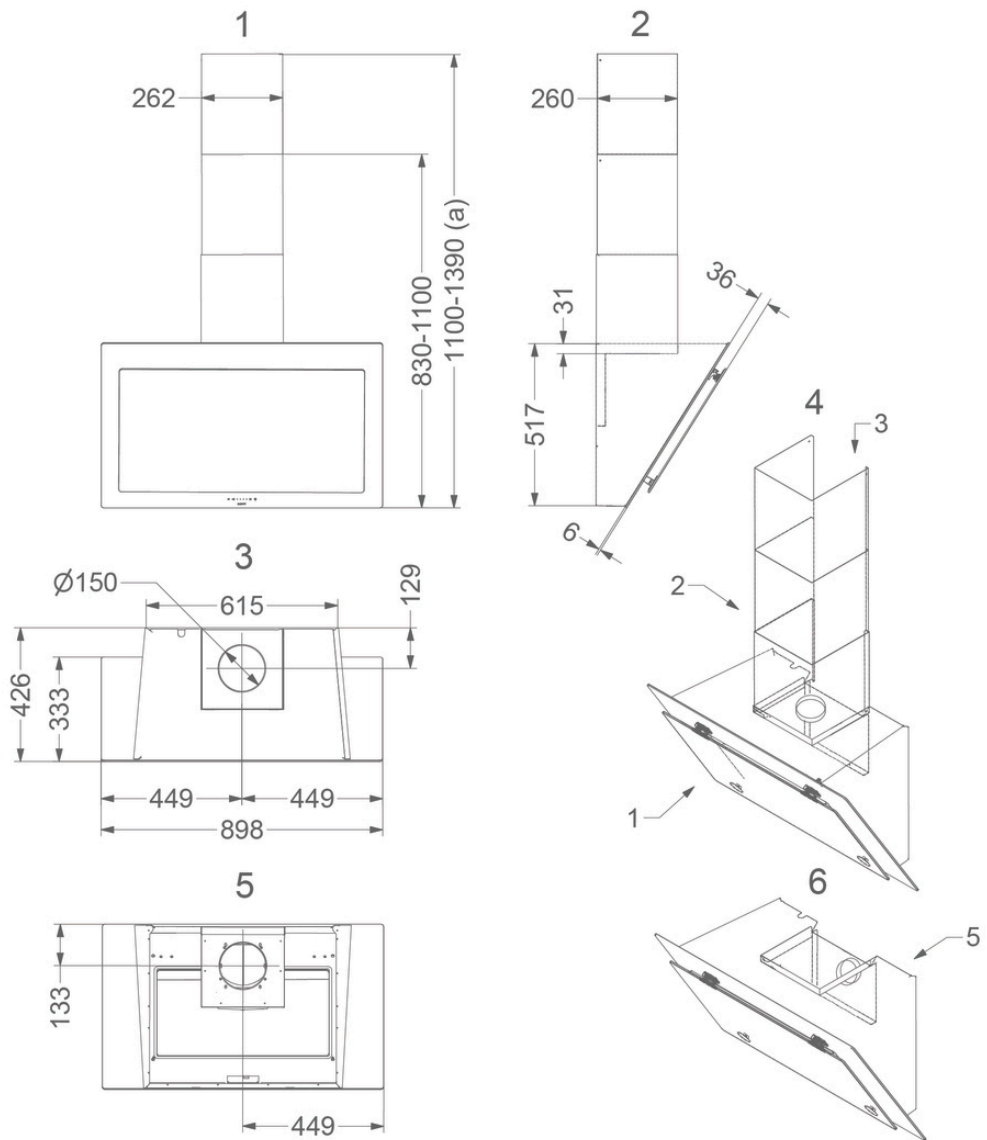
▪ Functional lighting type	Led
▪ Dimmable light	-
▪ Soft-ON/OFF	-
▪ Total energy consumption functional light (W)	4

Airflow and noise level

- Airflow (m³/h) measured according to EN 61591
- Sound regulation according to EN 60704-2-13

Technical specifications

▪ Maximum power	7
▪ Voltage (V)	220-230
▪ Frequency (Hz)	50
▪ Length power supply cord (m)	1,3
▪ Power consumption in stand-by-mode (Ps) (W)	0.29
▪ Net weight (kg)	34



Installation accessories

Dissociated motor

- 245999 Separate motor indoor installation black
- 445999 Separate motor outdoor wall installation
- 745999 Flat roof motor 48,8 cm high, 1.150 m³/h
- 755999 Flat roof motor with silencer 78,4 cm high, 1.150 m³/h

Extension cable

- 7000092 Extension cable 5 m

Back panel & chimney extensions

- 7830100 Chimney extension

Accessories

Control kit



990021

InTouch Kit incl. remote control

