

Canopy
Essence 60 cm
Stainless steel

EAN 5414425008285



Energy label

▪ Energy Efficiency class (EElhood)	B
▪ Annual Energy Consumption (kWh/year) (AEChood)	62,9
▪ Fluid Dynamic Efficiency class (FDEhood)	C
▪ Lighting Efficiency class (LEhood)	A
▪ Grease Filtering Efficiency class (GFEhood)	B

Functions & features

▪ Control method	Push buttons
▪ Number of speeds	4
▪ Motor	Integrated
▪ Sound absorber	Without
▪ Recirculation	Optional
▪ Auto stop	-
▪ Number of grease filters	1
▪ Grease filter	828020
▪ Grease filter cleaning indication	▪
▪ Recirculation filter cleaning indication	▪

Dimensions

▪ Product dimensions (WxDxH) (mm)	546 x 296 x 279
▪ Width flange (mm)	12
▪ Dimensions cut-out opening (WxD) (mm)	525 x 275
▪ Min dimensions cabinet (WxDxH) (mm)	x 600 x
▪ Advised mounting height induction hobs (Hmin-Hmax) (mm)	650 - 750
▪ Advised mounting height gas hobs (Hmin-Hmax) (mm)	650 - 750
▪ Advised mounting height ceramic hobs (Hmin-Hmax) (mm)	600 - 750
▪ Diameter outlet (mm)	150
▪ Position exhaust	Top

Lighting

▪ Functional lighting type	Led
▪ Dimmable light	-
▪ Soft-ON/OFF	-
▪ Total energy consumption functional light (W)	7
▪ Color functional light	2700

Airflow and noise level

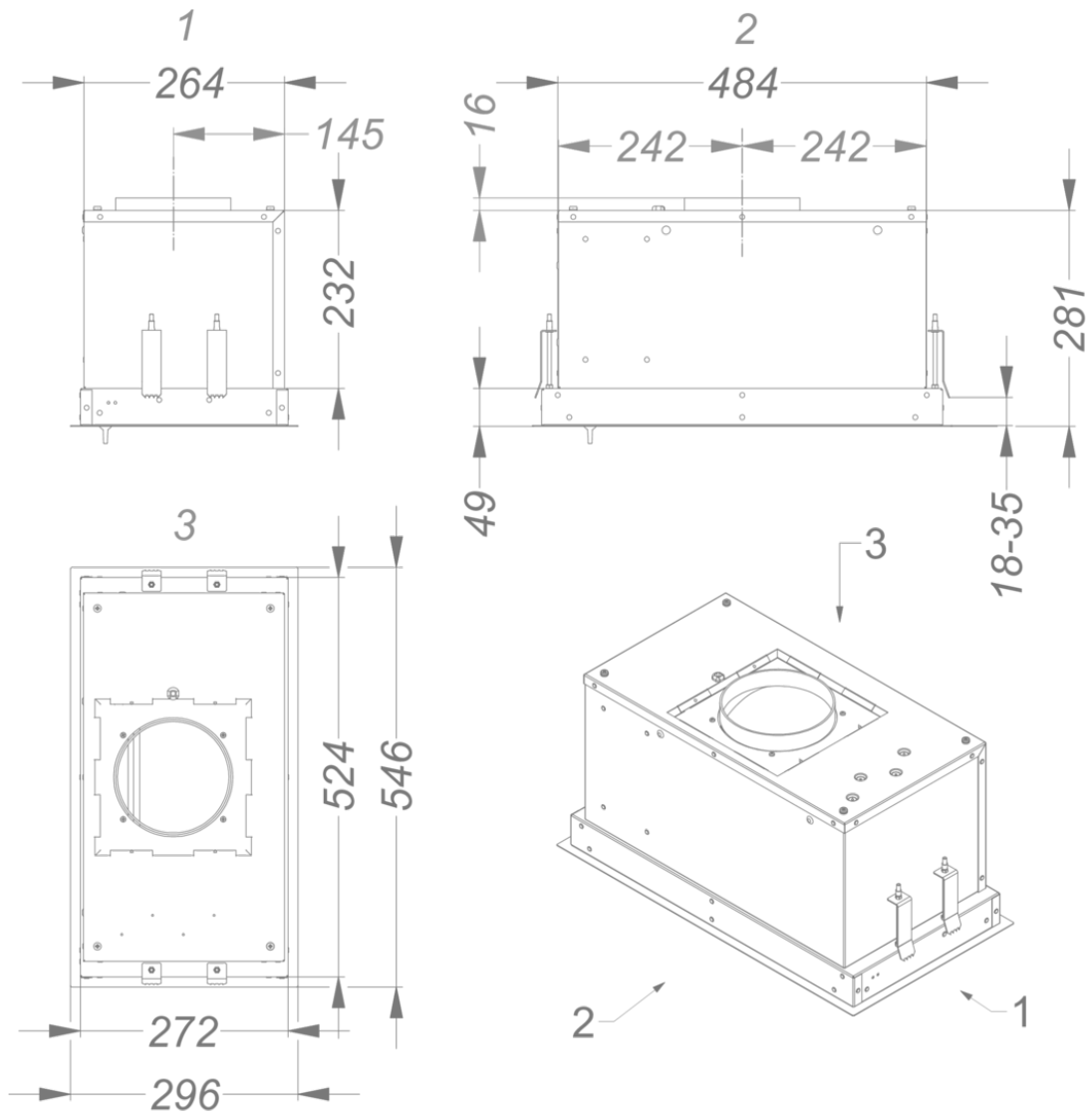
▪ Free airflow (m³/h)	581
▪ Airflow (m³/h) measured according to EN 61591	
▪ Sound regulation according to EN 60704-2-13	
▪ Airflow duct out speed 1 (m³/h) / Max pressure duct out speed 1 (Pa)	202 / 274
▪ Airflow duct out speed 2 (m³/h) / Max pressure duct out speed 2 (Pa)	299 / 392

Airflow and noise level

- Airflow duct out speed 3 (m³/h) / Max pressure duct out speed 3 (Pa) 398 / 458
- Airflow duct out speed 4 (m³/h) / Max pressure duct out speed 4 (Pa) 517 / 492
- Sound pressure duct out speed 1 (dB(A)) / Sound power duct out speed 1 (dB(A)) 26 / 37
- Sound pressure duct out speed 2 (dB(A)) / Sound power duct out speed 2 (dB(A)) 33 / 44
- Sound pressure duct out speed 3 (dB(A)) / Sound power duct out speed 3 (dB(A)) 42 / 53
- Sound pressure duct out speed 4 (dB(A)) / Sound power duct out speed 4 (dB(A)) 47 / 58

Technical specifications

- Maximum power (W) 167
- Voltage cooker hood (V) 220-230
- Frequency (Hz) 50
- Length power supply cord (m) 1
- Power consumption in stand-by-mode (Ps) (W) 0,35
- Net weight (kg) 8,5



Efficiency Curve

