

**Canopy**  
**Mini Pure'line 60 cm**  
**White**



EAN 5414425008117

**Energy label**

|  |      |
|--|------|
| ▪ Energy Efficiency class (EElhood)              | A    |
| ▪ Annual Energy Consumption (kWh/year) (AEChood) | 34,9 |
| ▪ Fluid Dynamic Efficiency class (FDEhood)       | A    |
| ▪ Lighting Efficiency class (LEhood)             | A    |
| ▪ Grease Filtering Efficiency class (GFEhood)    | C    |

**Functions & features**

|  |                               |
|--|-------------------------------|
| ▪ Control method                           | Push buttons + Remote control |
| ▪ Number of speeds                         | 3 + power                     |
| ▪ Automatic Power revert (minutes)         | 6                             |
| ▪ Motor                                    | Integrated                    |
| ▪ Sound absorber                           | Integrated                    |
| ▪ Recirculation                            | Optional                      |
| ▪ InTouch function                         | Standard                      |
| ▪ Delayed switch off (minutes)             | 10                            |
| ▪ Number of grease filters                 | 1                             |
| ▪ Grease filter                            | 609014                        |
| ▪ Grease filter cleaning indication        | ▪                             |
| ▪ Recirculation filter cleaning indication | ▪                             |

**Dimensions**

|   |                               |
|---|-------------------------------|
| ▪ Product dimensions (WxDxH) (mm)                         | 560 x 301 x 330               |
| ▪ Width flange (mm)                                       | 10                            |
| ▪ Dimensions cut-out opening (WxD) (mm)                   | 545 x 286                     |
| ▪ Min dimensions cabinet (WxDxH) (mm)                     | x 600 x                       |
| ▪ Advised mounting height induction hobs (Hmin-Hmax) (mm) | 650 - 750                     |
| ▪ Advised mounting height gas hobs (Hmin-Hmax) (mm)       | 650 - 750                     |
| ▪ Advised mounting height ceramic hobs (Hmin-Hmax) (mm)   | 600 - 750                     |
| ▪ Diameter outlet (mm)                                    | 150                           |
| ▪ Position exhaust  | Right, Top, Left, Back, Front |

**Lighting**

|   |           |
|---|-----------|
| ▪ Functional lighting type                      | Led       |
| ▪ Functional light dimmable                     | ▪         |
| ▪ Soft-ON/OFF                                   | ▪         |
| ▪ Total energy consumption functional light (W) | 8         |
| ▪ Color functional light                        | 2700/4000 |

**Airflow and noise level**

|  |     |
|--|-----|
| ▪ Free airflow (m <sup>3</sup> /h)                           | 815 |
| ▪ Airflow (m <sup>3</sup> /h) measured according to EN 61591 |     |
| ▪ Sound regulation according to EN 60704-2-13                |     |

## Airflow and noise level

---

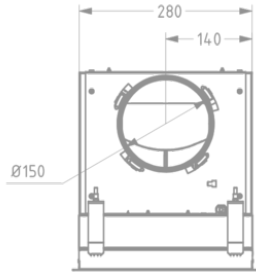
|  |           |
|--|-----------|
| ▪ Airflow duct out speed 1 (m <sup>3</sup> /h) / Max pressure duct out speed 1 (Pa)                            | 205 / 79  |
| ▪ Airflow duct out speed 2 (m <sup>3</sup> /h) / Max pressure duct out speed 2 (Pa)                            | 333 / 219 |
| ▪ Airflow duct out speed 3 (m <sup>3</sup> /h) / Max pressure duct out speed 3 (Pa)                            | 399 / 322 |
| ▪ Airflow duct out max powerspeed (m <sup>3</sup> /h) (Qboost) / Max pressure duct out max powerspeed (Pa)     | 534 / 370 |
| ▪ Sound pressure duct out speed 1 (dB(A)) / Sound power duct out speed 1 (dB(A))                               | 26 / 37   |
| ▪ Sound pressure duct out speed 2 (dB(A)) / Sound power duct out speed 2 (dB(A))                               | 37 / 49   |
| ▪ Sound pressure duct out speed 3 (dB(A)) / Sound power duct out speed 3 (dB(A))                               | 42 / 54   |
| ▪ Sound pressure duct out at max powerspeed (dB(A)) / Sound power duct out at max powerspeed (dB(A)) (LWAbost) | 49 / 61   |

## Technical specifications

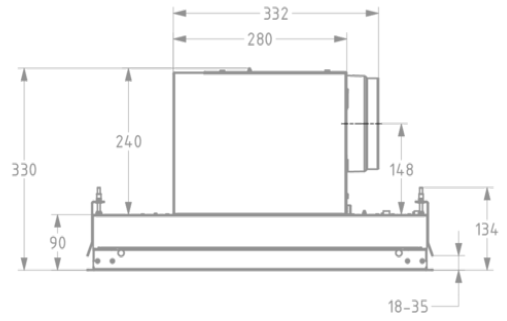
---

|   |      |
|---|------|
| ▪ Maximum power (W)                           | 118  |
| ▪ Voltage cooker hood (V)                     | 230  |
| ▪ Frequency (Hz)                              | 50   |
| ▪ Length power supply cord (m)                | 1,3  |
| ▪ Power consumption in stand-by-mode (Ps) (W) | 0.25 |
| ▪ Net weight (kg)                             | 9,8  |

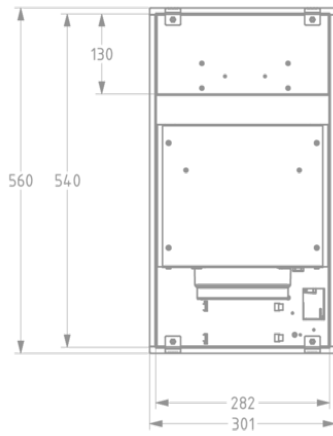
1



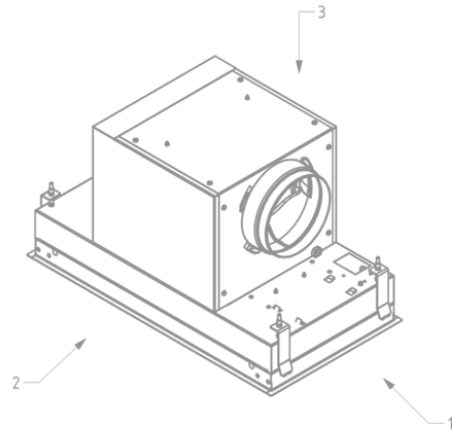
2



3



4



## Installation accessories

---

### Dissociated motor

- 800996

Kit to place motor at distance Mini Pureline  
810/811/816/820/821/826 ≥V18

### Extension cable

- 700094

Extension cable 5 m

## Accessories

---

### Recirculation kit



811400

Recirculation set Mini Pureline 810, 811 (370x149x20mm)

### Recirculation box



841400

recirculation box with monoblock white (270x500mm)



842400

recirculation box with monoblock black (270x500mm)



843400

recirculation box with monoblock grey (270x500mm)

### Control kit



990030

Control kit for external lighting or valve

