

Canopy
Crystal 90 cm
White



EAN 5414425218875

Energy label

| | |
|--|------|
| ▪ Energy Efficiency class (EEIhood) | B |
| ▪ Annual Energy Consumption (kWh/year) (AEChood) | 59,3 |
| ▪ Fluid Dynamic Efficiency class (FDEhood) | A |
| ▪ Lighting Efficiency class (LEhood) | A |
| ▪ Grease Filtering Efficiency class (GFEhood) | D |

Functions & features

| | |
|--|--------------|
| ▪ Motor | Integrated |
| ▪ Sound absorber | Integrated |
| ▪ Recirculation | Optional |
| ▪ InTouch function | Standard |
| ▪ Auto stop | ▪ |
| ▪ Delayed switch off (minutes) | 10/30 |
| ▪ Grease filter | 26050020 |
| ▪ Number of grease filters | 1 |
| ▪ Grease filter cleaning indication | ▪ |
| ▪ Recirculation filter cleaning indication | ▪ |
| ▪ Control method | Push buttons |
| ▪ Number of speeds | 4 |
| ▪ Automatic Power revert (minutes) | 6 |

Dimensions

| | |
|---|-----------------|
| ▪ Product dimensions (WxDxH) (mm) | 833 x 313 x 308 |
| ▪ Width flange (mm) | 14 |
| ▪ Dimensions cut-out opening (WxD) (mm) | 810 x 290 |
| ▪ Min dimensions cabinet (WxDxH) (mm) | x 600 x |
| ▪ Advised mounting height induction hobs (Hmin-Hmax) (mm) | 650 - 750 |
| ▪ Advised mounting height gas hobs (Hmin-Hmax) (mm) | 650 - 750 |
| ▪ Advised mounting height ceramic hobs (Hmin-Hmax) (mm) | 600 - 750 |
| ▪ Diameter outlet (mm) | 150 |
| ▪ Position exhaust | Top |

Lighting

| | |
|---|-----------|
| ▪ Functional lighting type | Led strip |
| ▪ Functional light dimmable | ▪ |
| ▪ Soft-ON/OFF | - |
| ▪ Number of functional lights | 2 |
| ▪ Total energy consumption functional light (W) | 14 |
| ▪ Color functional light (K) | 3000 |

Airflow and noise level

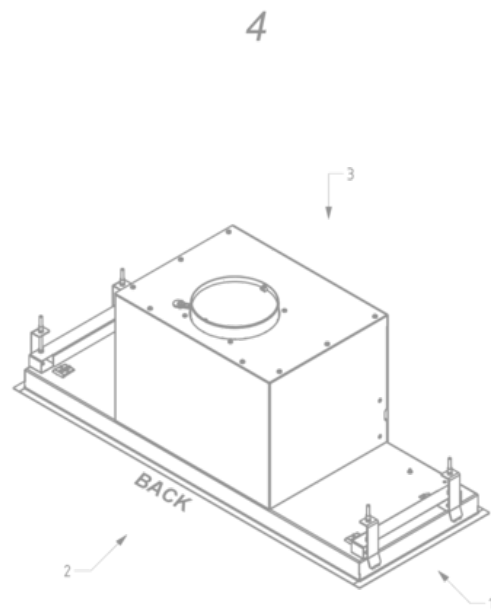
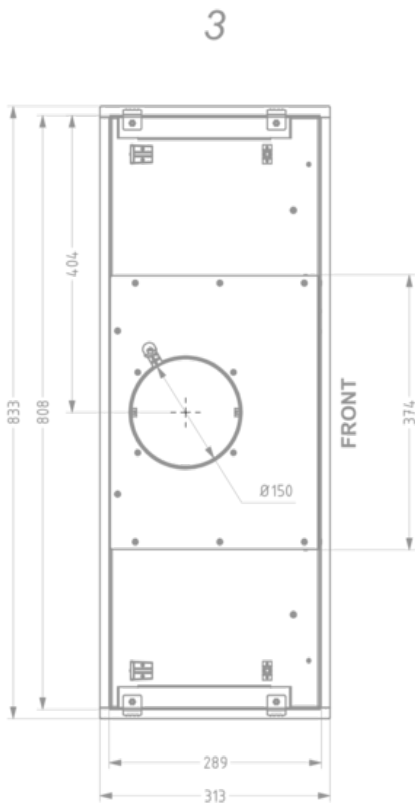
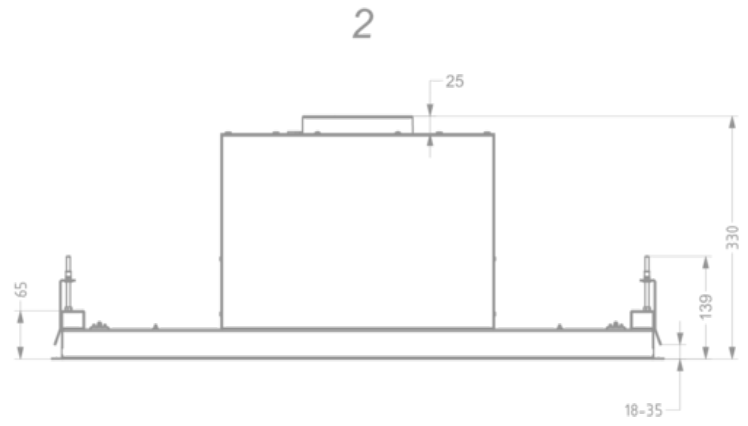
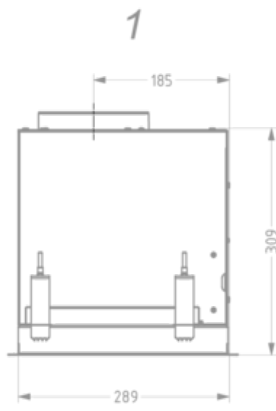
| | |
|-----------------------|-----|
| ▪ Free airflow (m³/h) | 700 |
|-----------------------|-----|

Airflow and noise level

- Airflow (m³/h) measured according to EN 61591
- Sound regulation according to EN 60704-2-13
- Airflow duct out speed 1 (m³/h) / Max pressure duct out speed 1 (Pa) 207 / 447
- Airflow duct out speed 2 (m³/h) / Max pressure duct out speed 2 (Pa) 276 / 489
- Airflow duct out speed 3 (m³/h) / Max pressure duct out speed 3 (Pa) 371 / 526
- Airflow duct out max powerspeed (m³/h) (Qboost) / Max pressure duct out592 / 559
max powerspeed (Pa)
- Sound pressure duct out speed 1 (dB(A)) / Sound power duct out speed 28 / 40
1 (dB(A))
- Sound pressure duct out speed 2 (dB(A)) / Sound power duct out speed 33 / 45
2 (dB(A))
- Sound pressure duct out speed 3 (dB(A)) / Sound power duct out speed 39 / 51
3 (dB(A))
- Sound pressure duct out at max powerspeed (dB(A)) / Sound power duct 49 / 61
out at max powerspeed (dB(A)) (LWAbost)

Technical specifications

- | | |
|---|------|
| ▪ Maximum power (W) | 238 |
| ▪ Voltage cooker hood (V) | 230 |
| ▪ Frequency (Hz) | 50 |
| ▪ Power consumption in stand-by-mode (Ps) (W) | 0,23 |
| ▪ Net weight (kg) | 15 |
| ▪ Length power supply cable (m) | 1 |



Installation accessories

Additional accessories

- 840029

Remote control

Accessories

Recirculation kit



26050400

Recirculation set Crystal

Control kit



990030

Control kit for external lighting or valve

